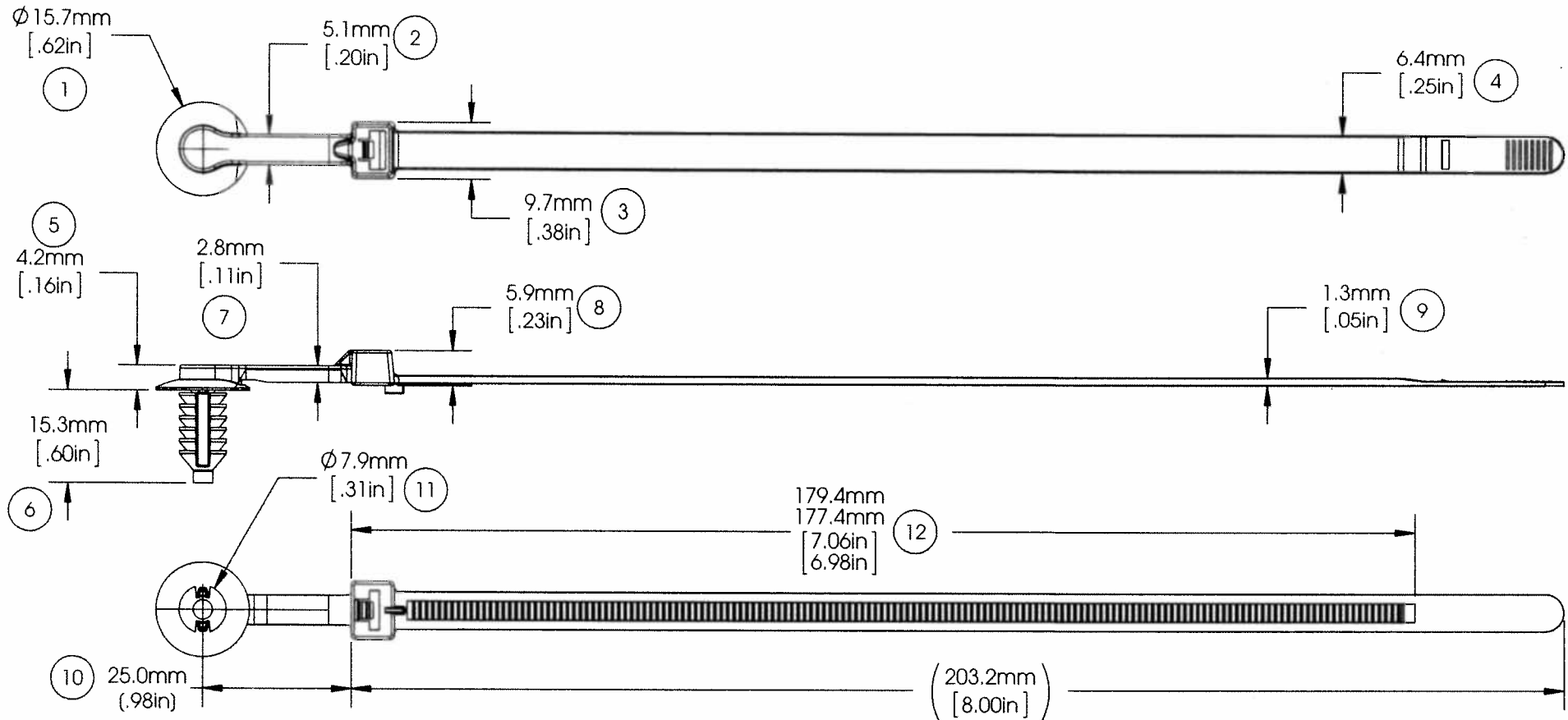


# AVERY DENNISON MARKETING SPECIFICATION

## HISTORY

THE SUBJECT MATTER DISCLOSED HEREIN EMBODIES PROPRIETARY INFORMATION WHICH IS THE CONFIDENTIAL PROPERTY OF THE AVERY DENNISON CO. NONE OF WHICH SHALL BE COPIED, REPRODUCED, DISCLOSED TO OTHERS, PUBLISHED OR USED IN WHOLE OR IN PART, FOR ANY PURPOSE OTHER THAN THAT FOR WHICH IT IS BEING MADE AVAILABLE WITHOUT THE EXPRESS, ADVANCE WRITTEN PERMISSION OF A DULY AUTHORIZED AGENT OF THE COMPANY. THIS DOCUMENT IS THE PROPERTY OF THE AVERY DENNISON CO. AND IS TO BE RETURNED TO THE COMPANY ON DEMAND.

| REV. | DATE     | DESCRIPTION  |
|------|----------|--|
| B    | 10-11-12 | UPDATED RIB GEOMETRY; UPDATED WEIGHT; ADDED ITEM 11 AND 12 |
| C    | 04.10.13 | UPDATED ITEM 12, FROM 178.4 TO 179.4/177.4                 |



|                       |  |
|-----------------------|--|
| MOUNTING:             | $\varnothing 6.60\text{MM} \pm 0.25\text{MM}$ HOLE AND 6.35MM HEX HOLE. PANEL THICKNESS OF 0.7MM TO 7.0MM. |
| TENSILE STRENGTH:     | 50 LBF / 222.4N MIN.   |
| TEMPERATURE RANGE:    | -40°F (-40°C) TO 239°F (115°C) CONTINUOUS AND 257°F (125°C) AT MAXIMUM EXPOSURE                            |
| WEIGHT:               | 2.64 GRAMS EACH  |
| BUNDLE DIAMETER:      | $\varnothing 1\frac{1}{16}"$ (1.6MM) TO $\varnothing 1\frac{7}{8}"$ (47.6MM)                               |
| INSTALLATION TOOL:    | 12001 - HAND TOOL<br>12500 - PNEUMATIC TOOL  |
| TOOL TENSION SETTING: | 6 - 8  |
| PACKAGING:            | 500/BAG, 10 BAGS/MASTER  |

APPROVALS: ENG. APPR. *[Signature]* 4/10/13  
Q.A. APPR. *[Signature]* 4/10/13

| SPECIFIED TOLERANCES   |               |
|------------------------|---------------|
| INCHES                 | MM            |
| .XX $\pm$ .03          | .X $\pm$ .7   |
| .XXX $\pm$ .01         | .XX $\pm$ .25 |
| ANGULAR: $\pm 2^\circ$ |               |

|          |  |
|----------|--|
| MATERIAL | NYLON 6/6,<br>IMPACT MODIFIED, HEAT STABILIZED |
| COLOR    | GREY   |

|   |  |   |  |
|---|--|---|--|
|   |  | FASTENER DIVISION<br>FITCHBURG, MA 01420 U.S.A.<br>TEL: 1-800-225-5913<br>FAX: 978-353-8157 |  |
| DESCRIPTION<br><b>25MM LIFT OFFSET TIE - REVERSED</b> |  |   |  |
| STOCK NO.   |  | REV.  |  |
| <b>20133-0</b>  |  | <b>C</b>  |  |